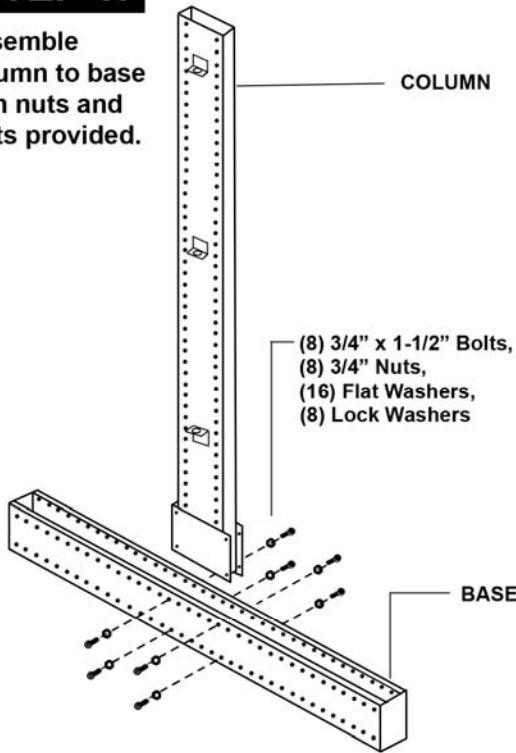


Assembly Instructions

Heavy Duty Cantilever Rack

STEP 1:

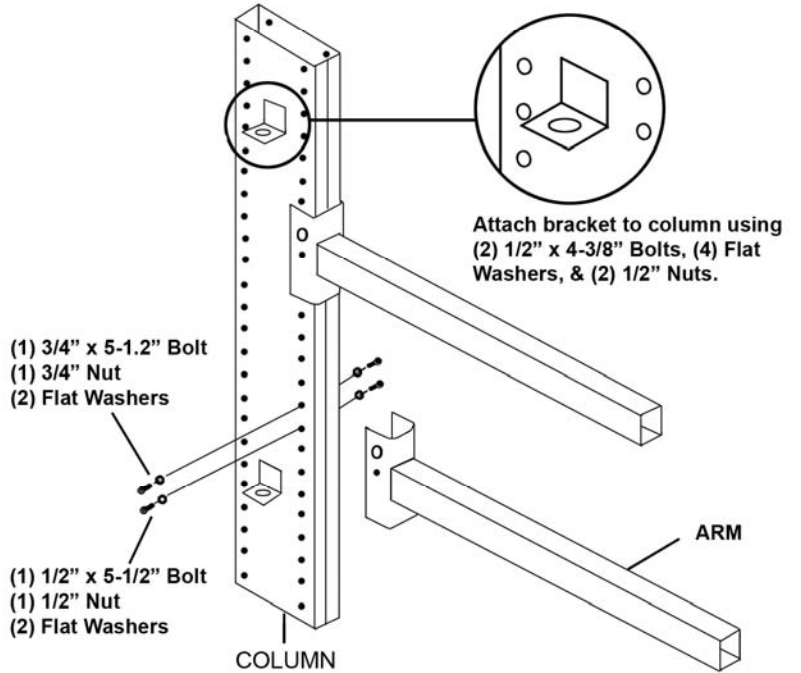
Assemble column to base with nuts and bolts provided.



- (8) 3/4" x 1-1/2" Bolts,
- (8) 3/4" Nuts,
- (16) Flat Washers,
- (8) Lock Washers

STEP 2:

Determine what level you would like each arm on each column. Place each arm on each column at desired locations (increments of 3"). Place 3/4" bolt set through arm and column. Seat arm as shown then tighten. Insert 1/2" bolt set through bottom hole and tighten. Insert 1/2" bolt set through bottom hole and tighten.



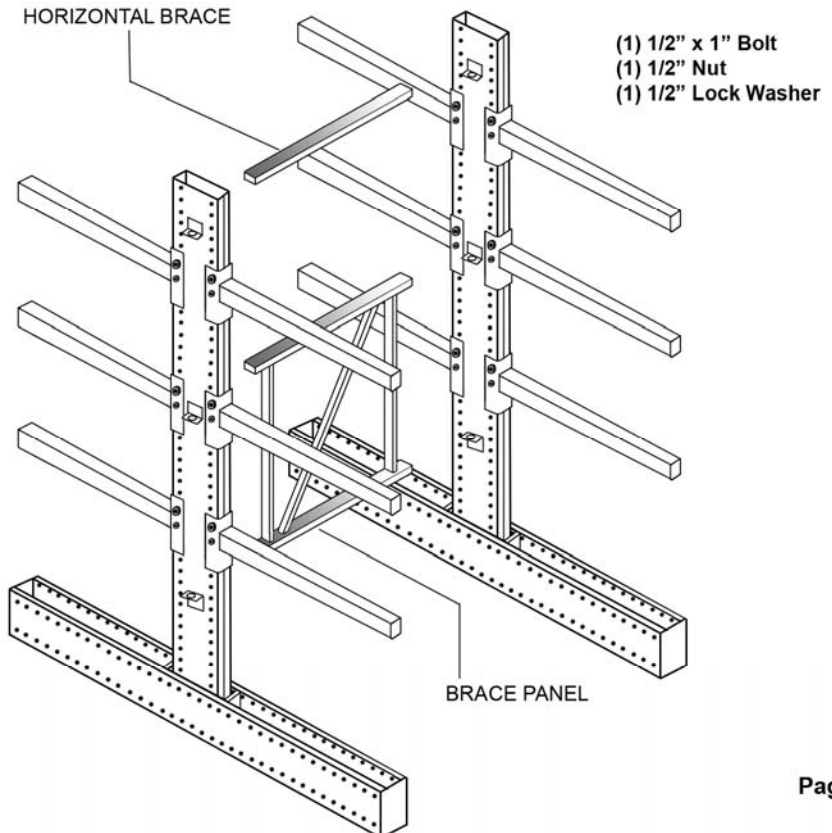
- (1) 3/4" x 5-1.2" Bolt
- (1) 3/4" Nut
- (2) Flat Washers

- (1) 1/2" x 5-1/2" Bolt
- (1) 1/2" Nut
- (2) Flat Washers

Attach bracket to column using (2) 1/2" x 4-3/8" Bolts, (4) Flat Washers, & (2) 1/2" Nuts.

STEP 3:

After in position bolt brace panel(s) and horizontal brace(s) (if required) to columns and tighten bolts.



- (1) 1/2" x 1" Bolt
- (1) 1/2" Nut
- (1) 1/2" Lock Washer

Action Wholesale Products

1200 Edinger Avenue
Tustin, California 92780
1-800-966-3999
(714)247-0100

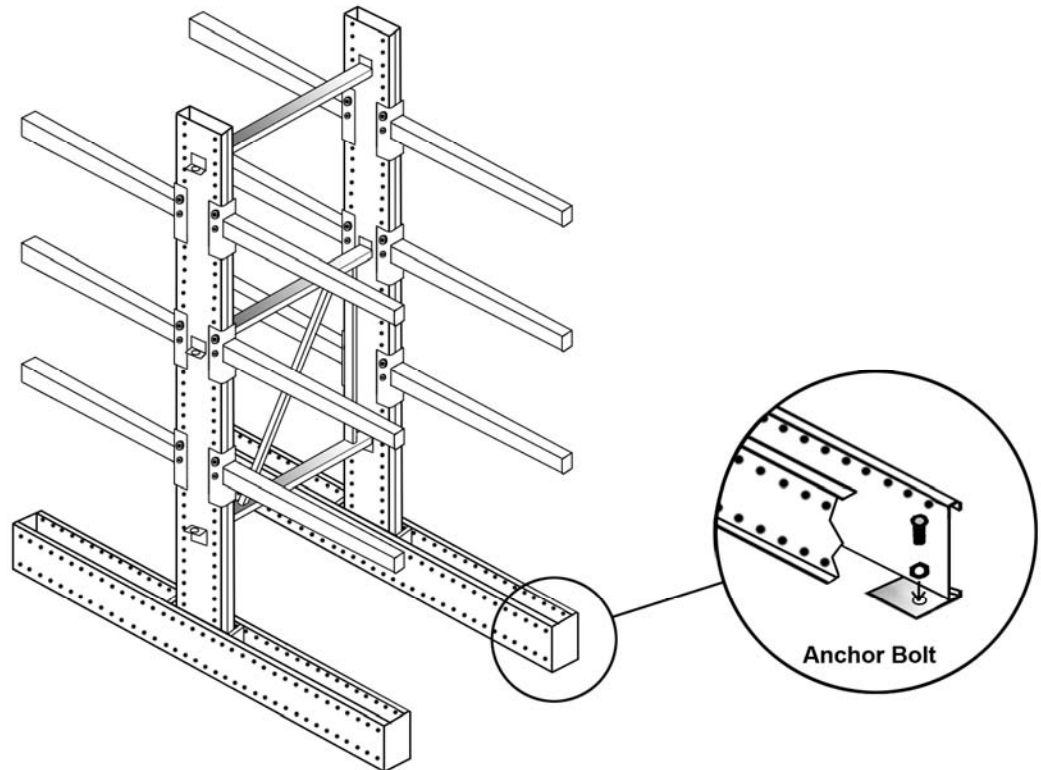
Assembly Instructions

Heavy Duty Cantilever Rack

(continued)

STEP 4:

Attach Horizontal Brace and Brace Panel to one of the upright assemblies. Join both upright assemblies as shown.



Action Wholesale Products

1200 Edinger Avenue
Tustin, California 92780
1-800-966-3999
(714)247-0100