

Steel Bin Shelving Unit Assembly Instructions

1. End upright assembly

End Upright assembly requires one Angle post at the back and one Angle or Common post at the front. Bolt end panels inside the two posts as shown in (Fig. 3). Overlap panels by two bolt holes. Nuts and bolts should be located approximately 15"-16" apart (Fig. 4, see ←). Panels are typically provided in 2 or more pieces and overlap a minimum of 1".

2. Intermediate upright assembly

Intermediate upright assembly requires two Angle posts at the back, and two Angle or one Common post at the front. Bolt the end panel between Angle posts or between rear flanges on Common post. Note: Before deciding where bolts should be located when attaching panels to posts, a sample unit may be built with all of the shelves in place to determine optimal location to prevent the bolts from interfering with the shelves. Match up bolts on end and back panels.

3. Bolt the top shelf to the upright assemblies through the top round hole of the post. Bolt the bottom shelf to the upright using the third hole from the bottom of the post or other location where the bottom shelf will be required (3" max. from floor). If you would like the bottom shelf to be less than 3" from the floor, then the top and bottom shelves should be attached while the unit is on its back. Use two end upright assemblies if installing only one unit, or one end and one intermediate upright assembly if installing two or more units to form a row.

4. Install intermediate shelves using four clips per shelf. Shelves are adjustable on 1-1/2" centers using squares cutouts on the posts for clip attachment.

5. Bolt the back panel to the back of the unit outside of the posts. If installing back-to-back units, the back panel should be placed between the units. Panels are typically provided in 2 or more pieces and overlap a minimum of 1".

6. Additional shelving units may be added to form a row by holding in position another intermediate upright assembly and repeating steps 3 through 5. For the last add-on unit, use an end upright assembly instead of an intermediate assembly to finish the row.

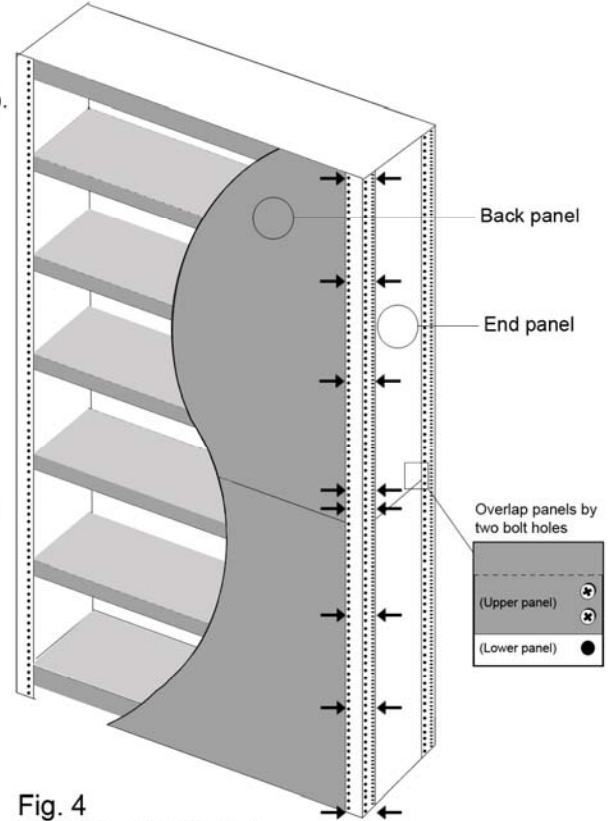


Fig. 4
End and back panels at 85" are supplied in two or more pieces.

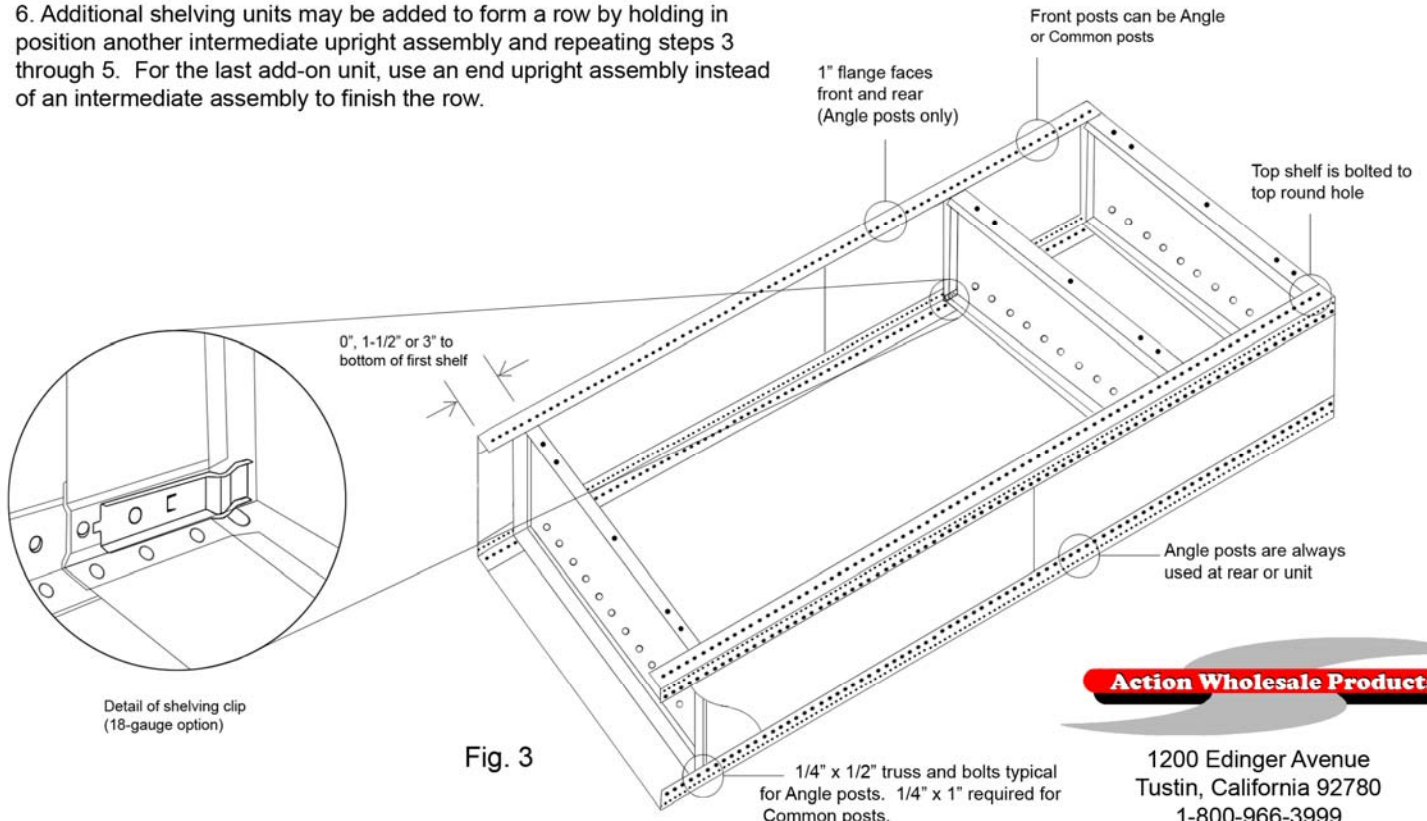


Fig. 3

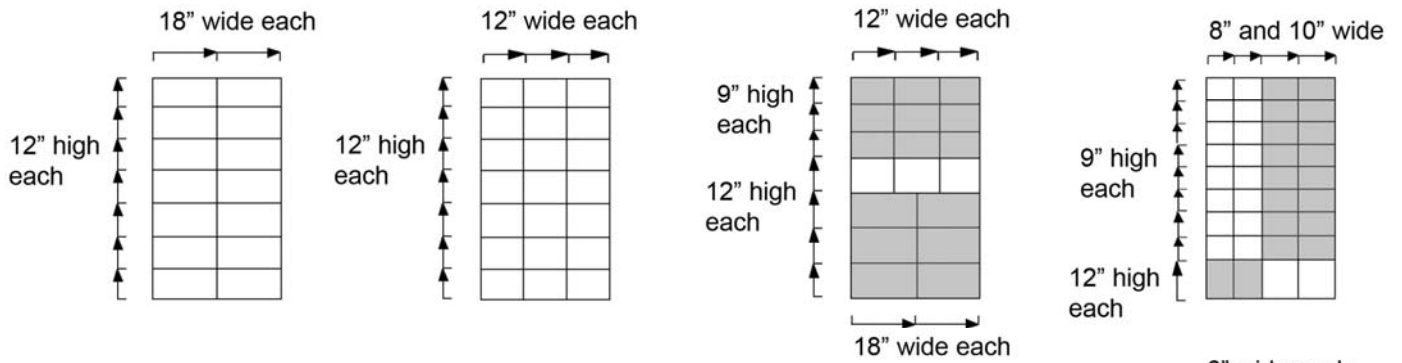
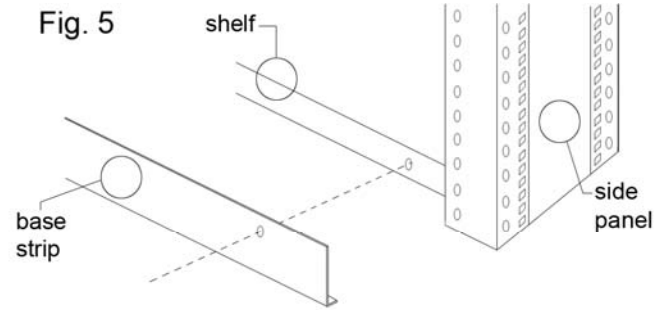
Action Wholesale Products

1200 Edinger Avenue
Tustin, California 92780
1-800-966-3999
(714)247-0100

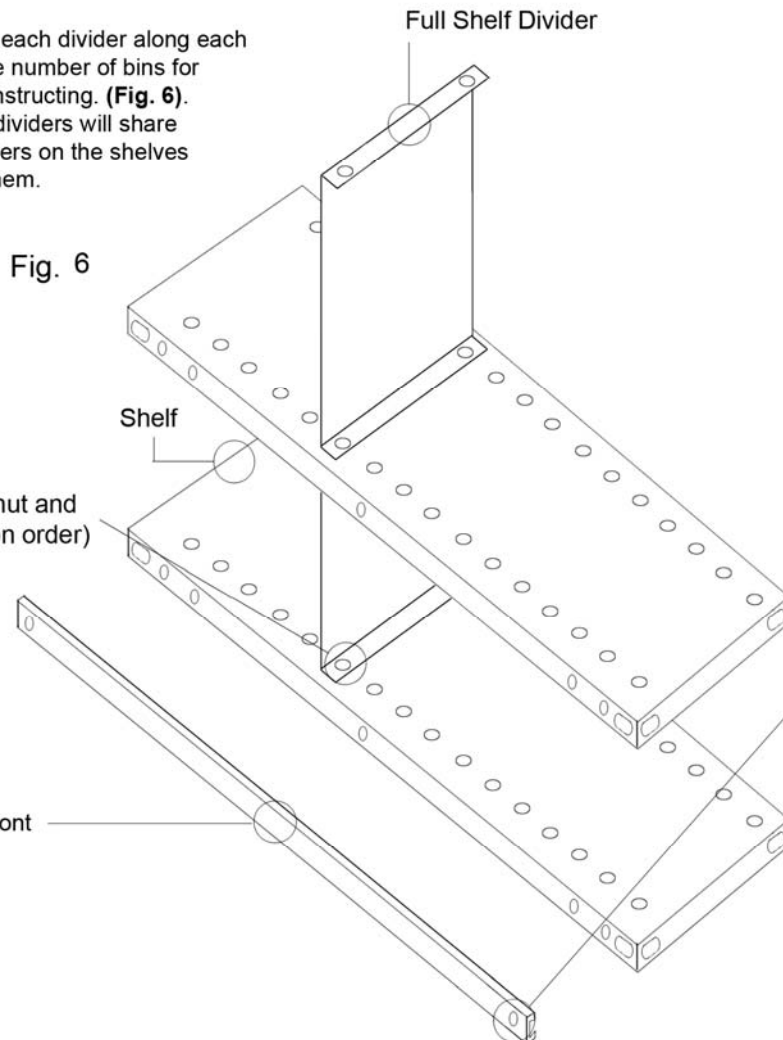
Steel Bin Shelving Unit Assembly Instructions (cont.d)

7. While unit is still on its back, consider installing the optional base strip. Please note, the base strip is 2-1/2" in height, so it can only be installed if the bottom shelf of the unit is low enough (Fig. 5).

8. When building unit, adjust shelves to the correct height that each shelf must be in order to fit each bin wall. Depending on which unit you are constructing, this will be either 9" or 12". See the following diagrams for examples: (Remember to install each shelf using four clips per shelf.)



9. Next, space out each divider along each shelf and create the number of bins for the unit you are constructing. (Fig. 6). Please note: most dividers will share hardware with dividers on the shelves above and below them.



10. An optional bin front can be added by bolting it to the front vertical flange of the shelf.

Place bin front onto shelf and bolt it at each end.

Action Wholesale Products

1200 Edinger Avenue
Tustin, California 92780
1-800-966-3999
(714)247-0100