

# Closed Shop Desk Assembly Instructions

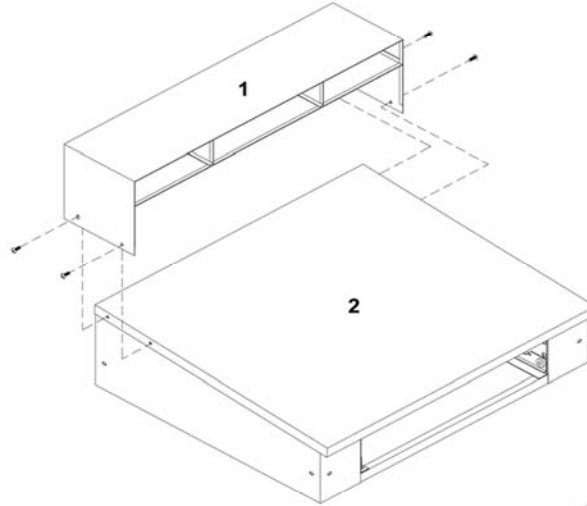
Shop Desk with Riser

Action Wholesale Products

1200 Edinger Avenue  
Tustin, California 92780  
1-800-966-3999

## Parts List

(1)	1	Desk Riser
(2)	1	Desktop Assembly
(3)	1	Front Assembly
(4)	2	Back Legs
(5)	2	Side Panels
(6)	2	Inside Shelf/Bottom Shelf
(7)	1	Drawer
(8)	1	Rear Panel
(9)	1	Locking Handle with Keys
(10)	1	Lock Bars
(11)	1	Locking Cam
(12)	2	Drawer Lock & Hex Nut
(13)	2	Locking Bar Guide Inserts
(14)	2	Locking Cam Retainer
(15)	42	1/4"-20 x 5/8" Slotted Screws
(16)	34	1/4"-20 Hex Nuts



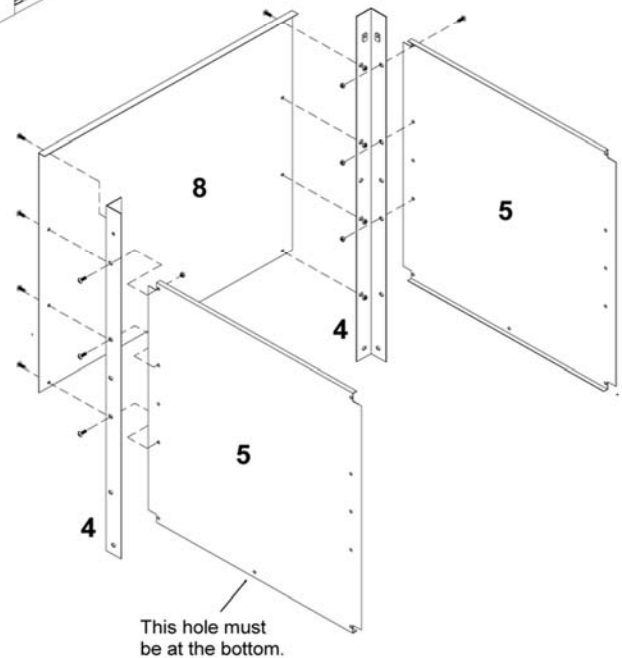
## Step 1

If drawer is inside desktop, remove drawer.

Align holes on riser with holes on side and back of the desktop assembly. Insert screws through holes and bolt to desktop assembly. (1) & (2)

## Step 2

Using a flat surface, bolt the rear panel (8) to the back legs (4), using eight bolts and nuts. Be sure that the holes in the back legs are situated as shown in the diagram.



## Step 3

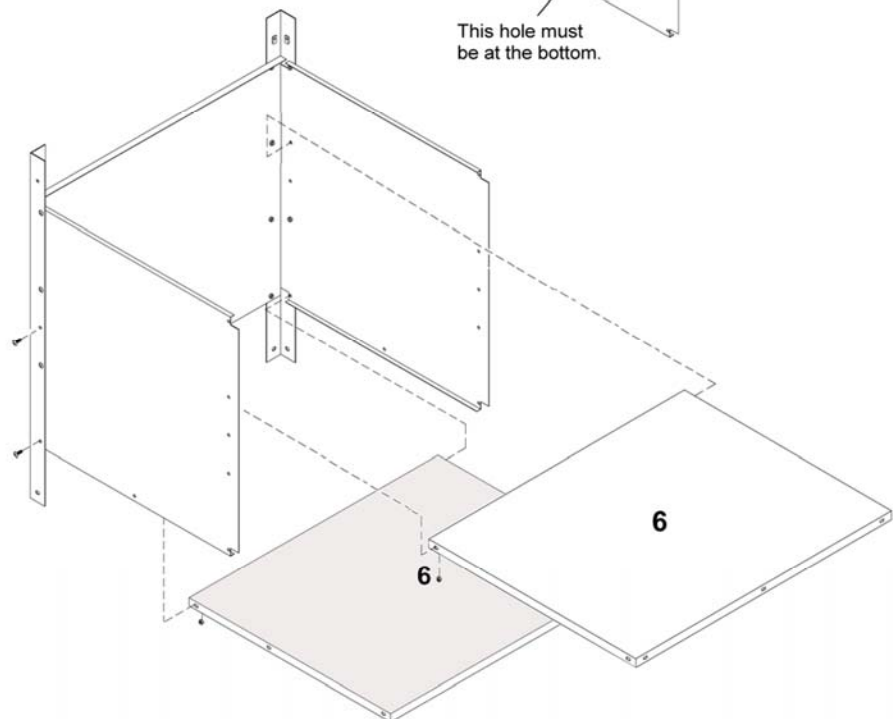
Position the side panels (5) on the inside of the rear legs, making sure that the hole in the center is at the bottom as shown in the diagram. Attach using three bolts and nuts in each panel. Leave the center hole and the bottom hole temporarily empty to allow for placement of the shelves.

## Step 4

Attach the bottom shelf (6) by bolting the shelf to each side and to the back legs.

## Step 5

Attach the inside shelf (6) by bolting it to each side and to back assembly.



# Closed Shop Desk Assembly Instructions (continued)

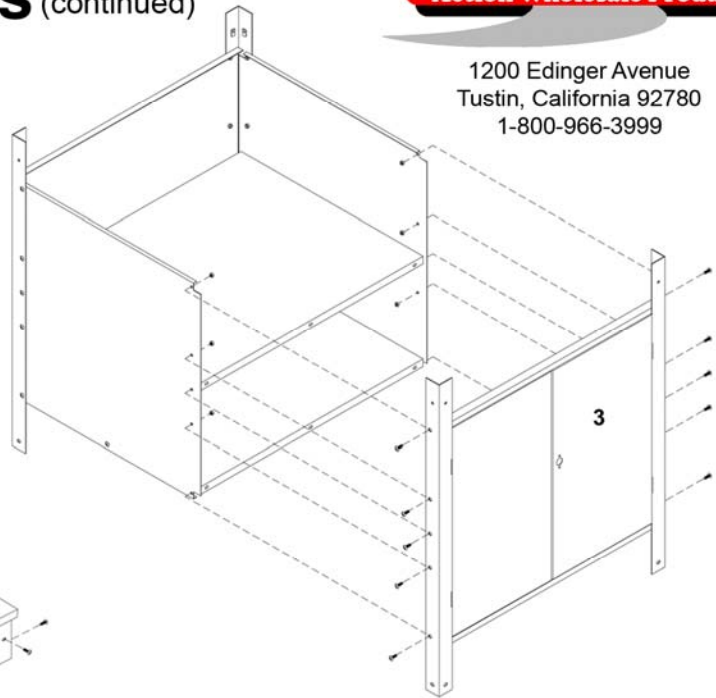
Shop Desk with Riser

Action Wholesale Products

1200 Edinger Avenue  
Tustin, California 92780  
1-800-966-3999

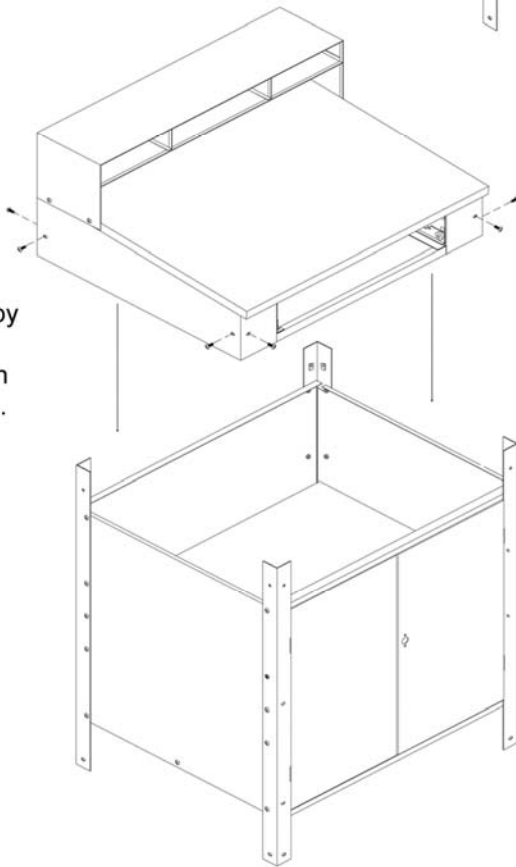
## Step 6

Attach the front assembly (3) to front of unit by bolting it to each side, as well as to the shelf and unit bottom.



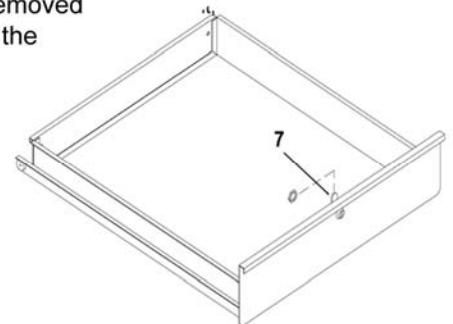
## Step 7

Attach the desktop to unit by bolting top to each leg through pre-welded nuts.



## Step 8

Insert drawer lock (7) into drawer front, then attach with accompanying hex nut. If you removed the drawer from the desktop earlier, reinsert it now.



## Step 9

Attach the handle to front of desk as follows:

- Place locking handle (9) on right hand door and fasten with #8-32 bolts with lockwashers (enclosed with handle).
- Turn handle to open position and place locking cam (11) over square shank of door handle with latch facing downward.
- Hook lock bars (10) to locking cam and hold in position while sliding nylon lock bar guide inserts (13) over door lock bar and through door slots.
- Place locking cam retainer (14) over square shank of door handle and drive into place.

Make sure all bolts and nuts are tightened securely before using.

