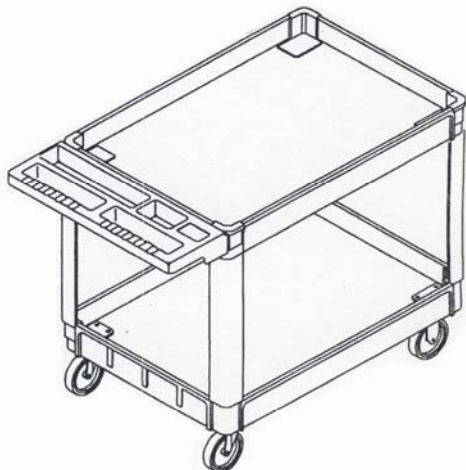


# Assembly Instructions

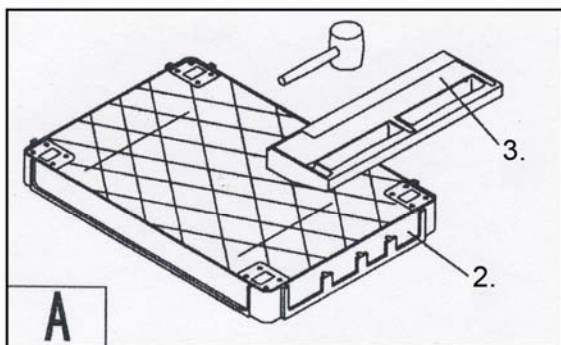
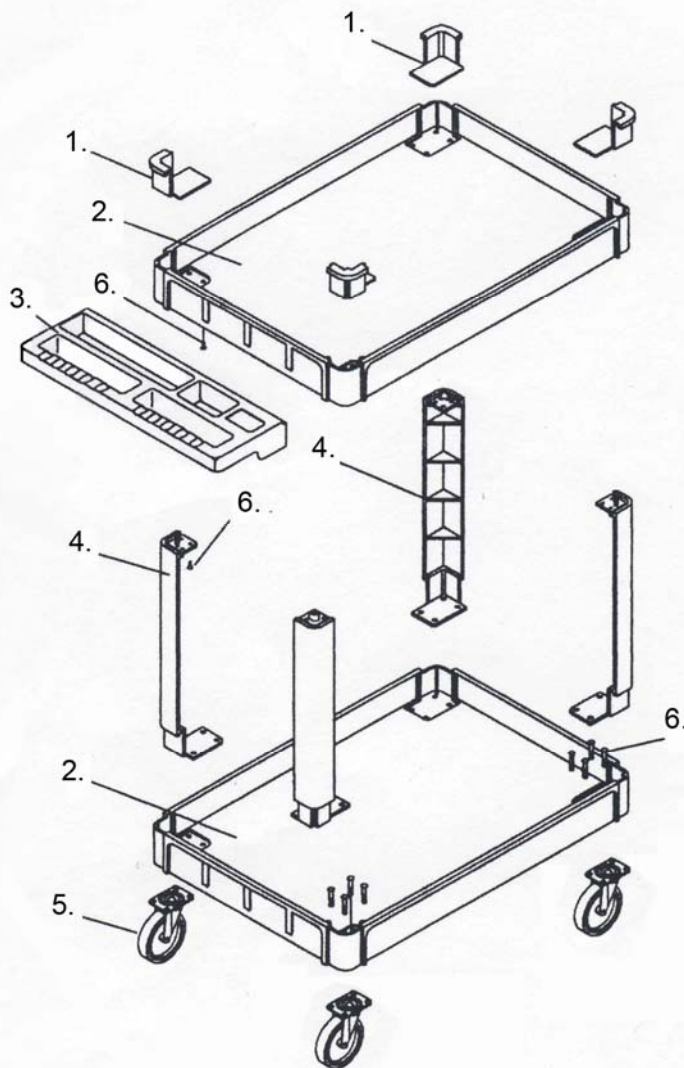
## Plastic Service Cart



No.	Description	Quantity
1.	Hardware Cover	4
2.	Table-Board	2
3.	Handle	1
4.	Legs	4
5.	Wheels/Casters	4
6.	Hardware pack	1

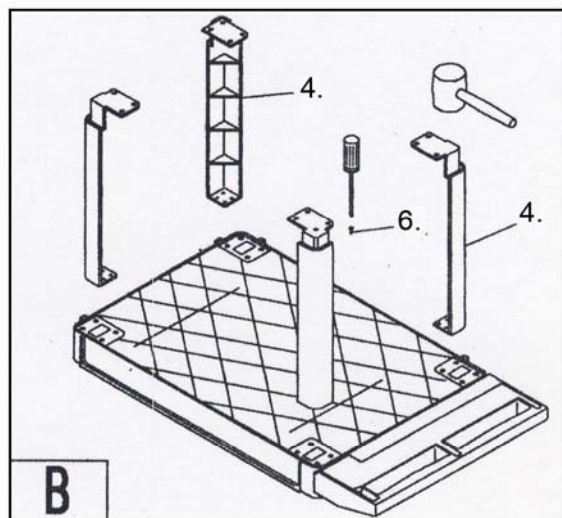
**Action Wholesale Products**

1200 Edinger Avenue  
 Tustin, California 92780  
 1-800-966-3999  
 (714)247-0100



Lay one table-board upside-down and attached cart handle using soft mallet (See A).

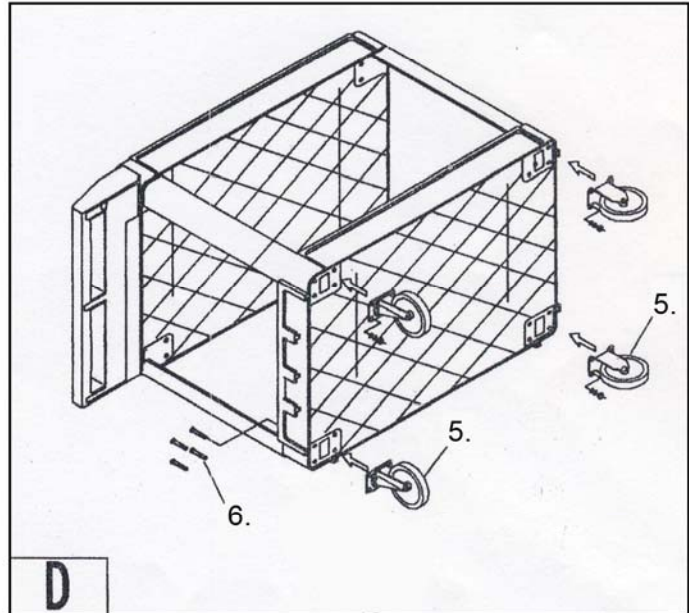
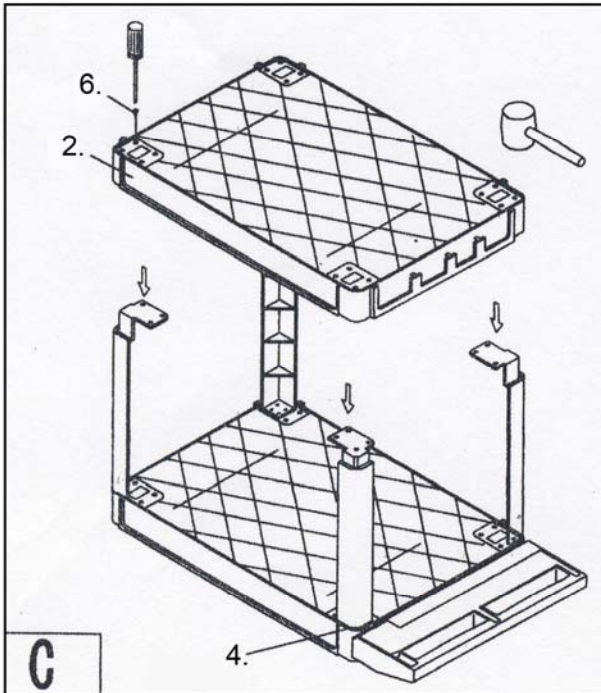
While table-board is still upside-down, attach legs of cart using screws provided (See B).



# Assembly Instructions

## Plastic Service Cart

(continued)



Attach second table-board and wheels/casters to the other end of the legs using screws provided (See C & D).

Stand Service Cart upright and snap on Hardware covers to the top Table-Board.

**Action Wholesale Products**

1200 Edinger Avenue  
Tustin, California 92780  
1-800-966-3999  
(714)247-0100

**WARNING:** There are certain applications for which the Service Cart was designed. Do not modify the Service Cart and do not use this cart for a purpose for which it was not intended. Replace any broken or damaged parts before using this cart. Do not exceed maximum capacity load of 500 lbs. Do not allow anyone to play on, stand on or climb on Service Cart. Uneven weight distribution could cause tipping of cart.

The warnings, cautions, and instructions discussed in this instruction manual cannot cover all possible conditions and situations that may occur. It must be understood by the operator that common sense and caution are factors which cannot be built into this product, but must be supplied by the operator.