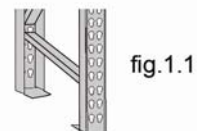


## Assembly Instructions Pallet Rack - Interlake Style

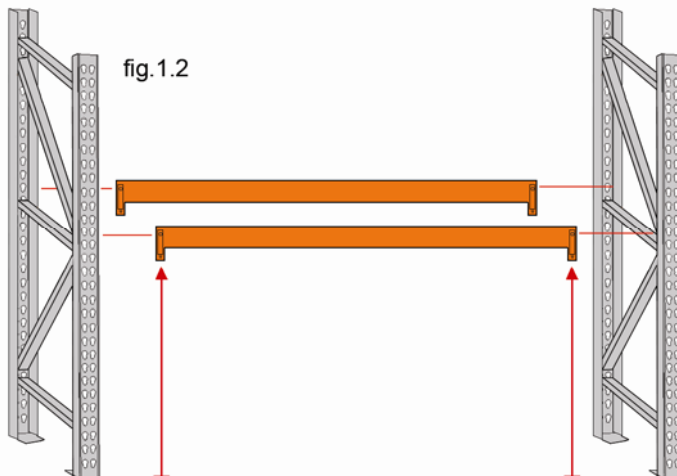
These instructions will build the basic 2 shelf pallet rack shelving unit. You will need 2 uprights, 4 load beams, support beams and wire mesh decking (optional).

These racking systems can easily be added to. The popular tear drop design on the uprights insures interchangeability with most major pallet rack manufacturers.

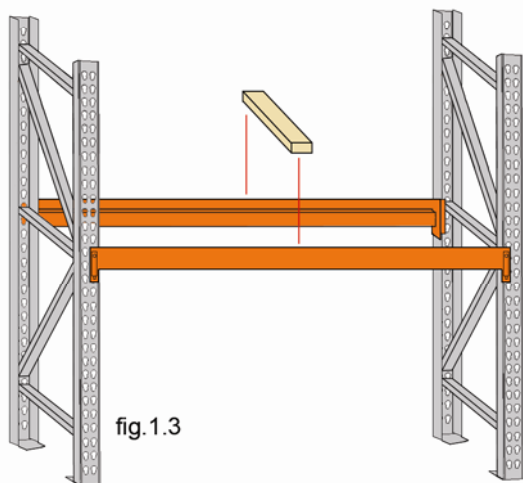


**Step 1** - Position both uprights in the area of installation. The bottom of the uprights have flat foot plates (fig. 1.1).

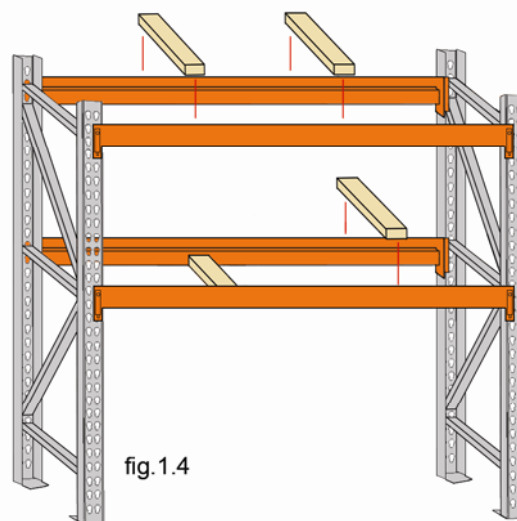
**Step 2** - Build the lowest shelf first. Two beams are required to create a shelf. Attach a load beam at the same height on each upright. Each beam features a built-in safety clip at each end that will click into place upon assembly (fig. 1.2).



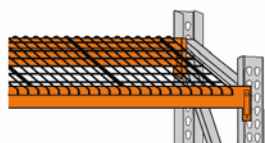
**Step 3** - After the load beams have been installed, Steel or Wood Safety Supports can be added (fig. 1.3). The type and number of supports you use will depend on the pallets and items you are storing.



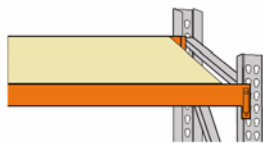
**Step 4** - Add the other shelves to the unit. (Go back through Steps 2 and 3 for assistance adding each other shelf.)



**Step 5** - At this point, you can add your pallets or, if you ordered Wire Mesh Decking or Particle Board Decking, that can be added on top of the beams.



Wire Mesh Decking



Particle Board Decking

**Action Wholesale Products**

1200 Edinger Avenue  
Tustin, California 92780  
1-800-966-3999  
(714)247-0100