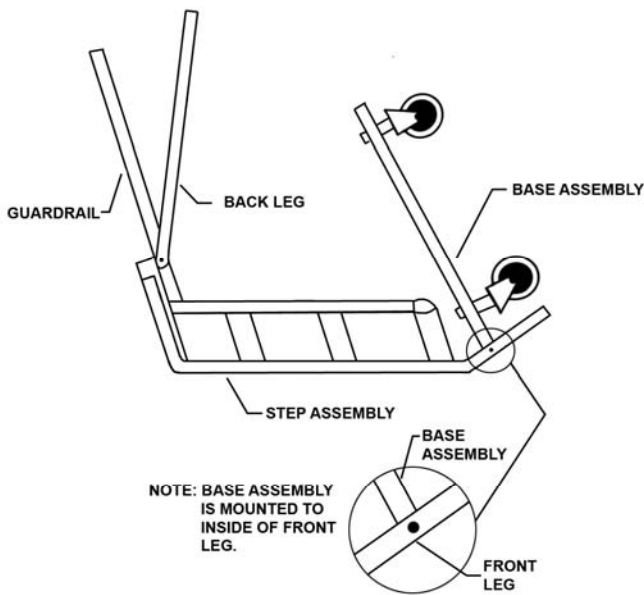
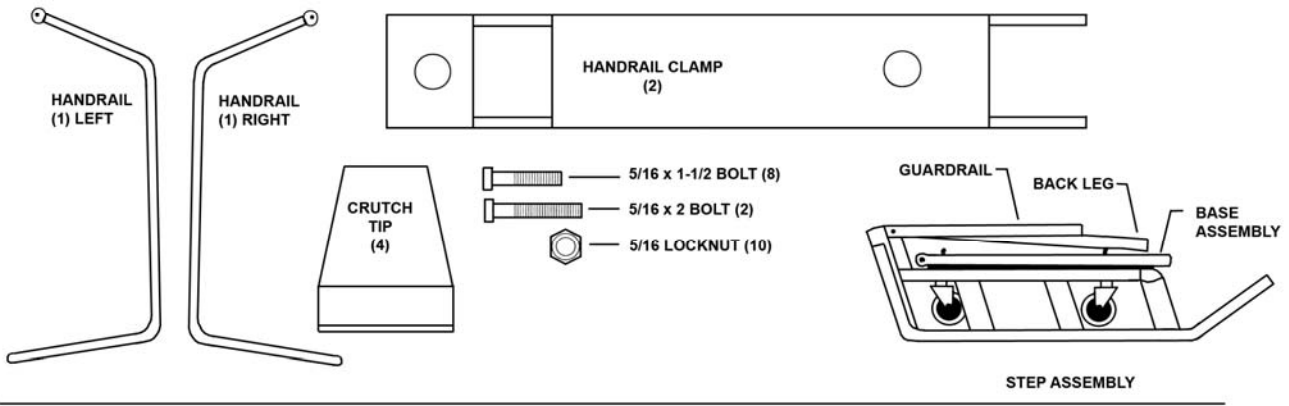


Assembly Instructions

Ladders

The following parts are included in this package:



Step 4 - Mount crutch tips to the (4) legs, making sure they are fully seated.

Step 5 - Attach back legs to the base assembly using (2) 5/16 x 2" bolts and (2) 5/16" locknuts.

NOTE: Back legs must be attached to the inside of the base assembly for 2 step ladders and to the outside of the base assembly for 3-5 step ladders. See picture right.

Step 6 - Stand ladder upright.

(continued on Page 2)

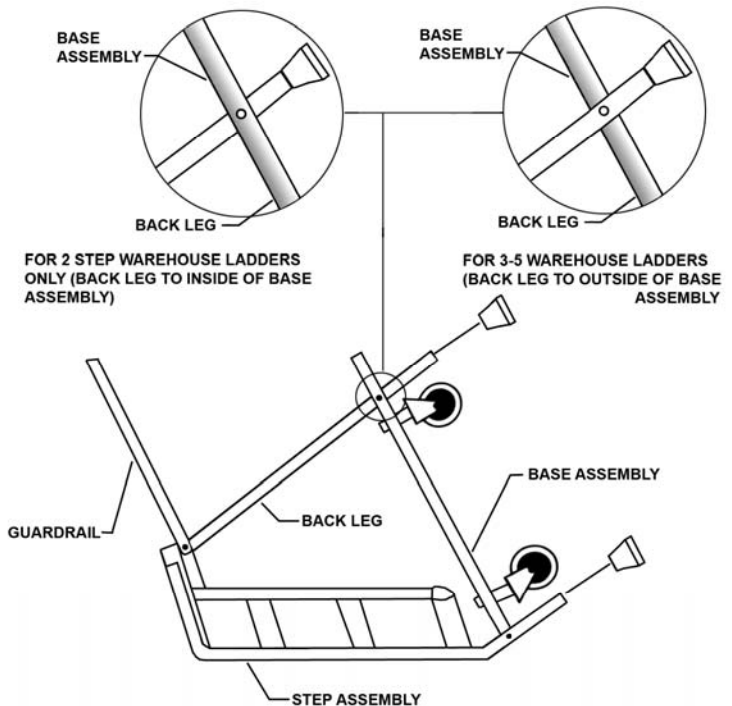
Step 1 - Lay ladder on floor with climbing surface toward floor as shown.

Step 2 - Remove all packing material. Make sure all hardware is in the bag.

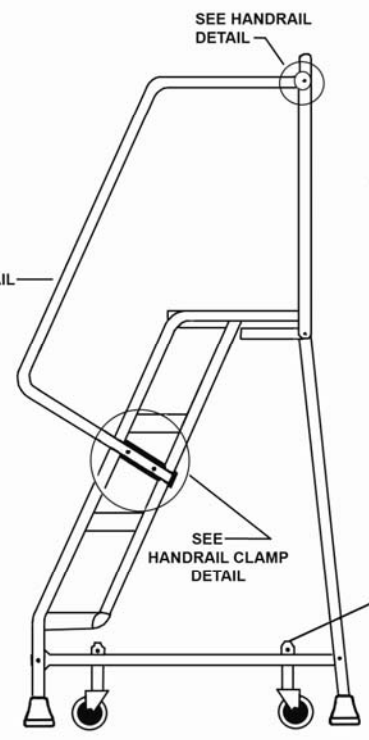
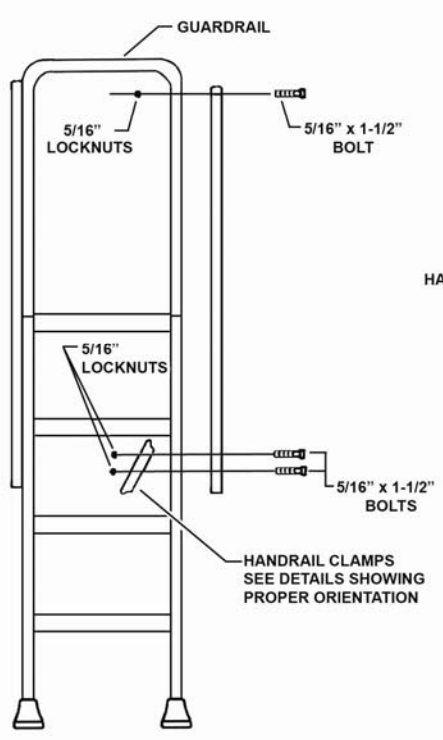
Note: Do not tighten hardware until all parts are attached.

Step 3 - Raise back legs and guardrail out of the way. Mount the base assembly to inside of the front legs of the step assembly, using (2) 5/16 x 1-1/2" bolts and (2) 5/16" locknuts. (see detail)

NOTE: Make sure base assembly is mounted with casters positioned outward.



1200 Edinger Avenue
Tustin, California 92780
1-800-966-3999
(714)247-0100



1200 Edinger Avenue
 Tustin, California 92780
 1-800-966-3999
 (714)247-0100

When you stand ladder upright, if ladder has trouble rolling, you may adjust casters by tightening or loosening locknut on caster stem. Note that you must have a minimum of 1-1/2 to 2 threads of caster stem protruding above locknut.

Step 7 - Swing guardrail to vertical position.

Step 8 - Attach handrails to the guardrail using (1) 5/16 x 1-1/2" bolt and (1) 5/16" locknut. Repeat step for opposite side.

NOTE: Handrails are to the outside of the guardrail.

Step 9 - Attach the bottom of (1) handrail to the step assembly using (1) handrail clamp, (2) 5/16" x 1-1/2" bolts and (2) 5/16" locknuts. Repeat step for opposite side.

Step 10 - Tighten all hardware except casters. See note on casters.

